

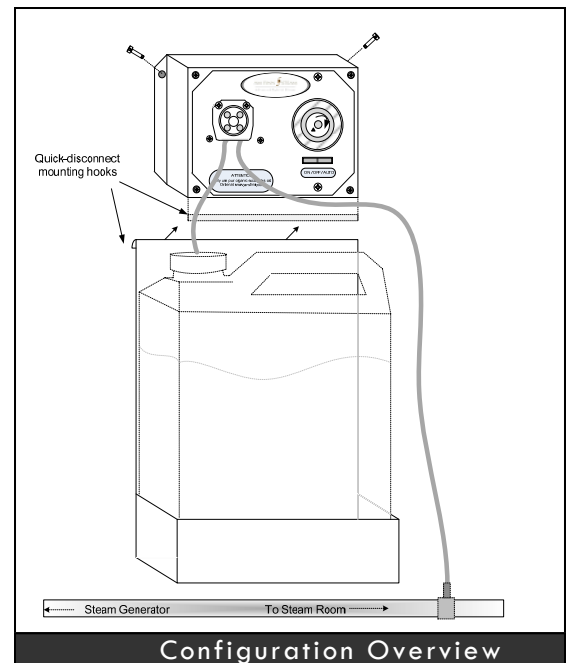
## AROMA-GUARD II



**Aroma-Guard II** peristaltic pump is designed to dispense low volumes of Eucalyptus or other pure/organic essential oils. Installation is simple and start-up is simplified with a self-priming function. The *Aroma-Guard II Series* features an exclusive quick-connect container system, built-in timer and a self-lubricating roller assembly. The *Aroma-Guard II* is also 7 day programmable to work during your commercial facility's hours of operation.

Pump	HP	3
	Voltage	120
	Amp	15
	Flow ml/min	0.05
	Tube type	Viton
	Tube ID	1/8"
Clock	Time	27/7
	Voltage	120
	Listing	UL
	On/Off	36 / day
	Listing	UL
Cont.	Container	2 1/2 Gal
	Container Mat	Polypropoleyne
	Bracket Mat	#304 Stainless

**WARNING:** Use only with nonflammable liquids. Only use 100% natural and organic essential oils. Do not use oils containing alcohol, chemicals and other additives not approved by the FDA.



Aroma-Guard II



Certified Products



Government Approved



Preferred Vendor



Exclusive Preferred Vendor



Preferred Vendor



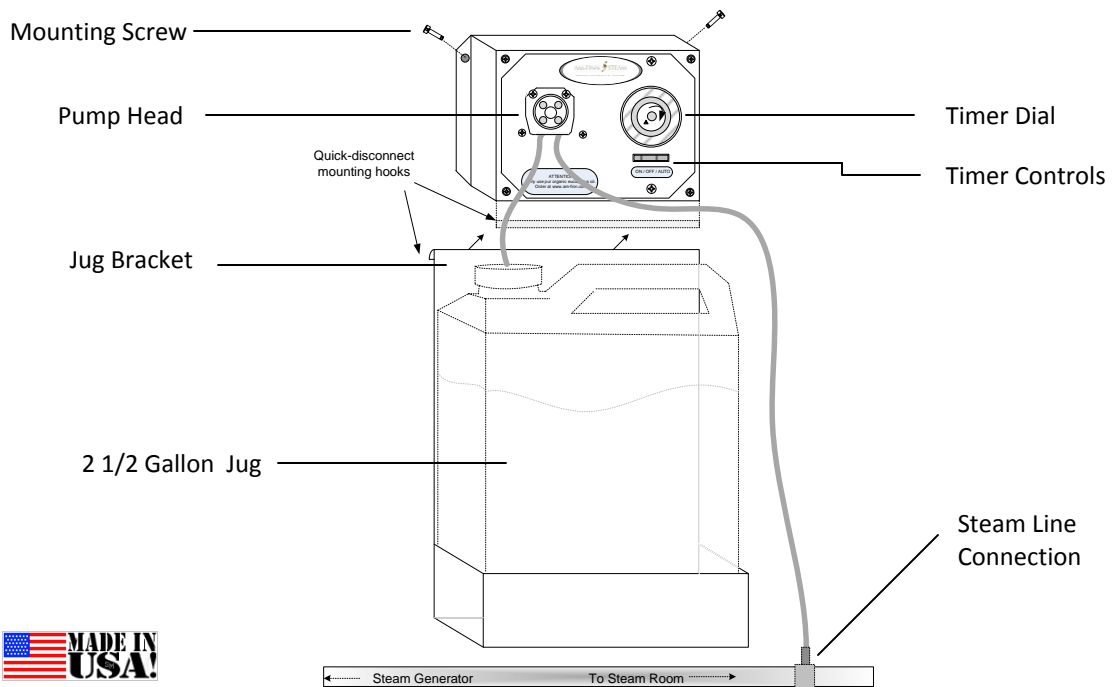
Preferred Vendor

### Most Complete Line of Commercial Steam Accessories

Commercial Steam Accessory



An all metal 120VAC gear-motor turns roller which moves fluid through tubing. Replacement tubing is available. Peristaltic Pump, Maximum Pressure 15 PSI, Maximum Feed Rate 0.05 GPH. Maximum revolutions per Minute 10, Volts 120, , Tubing Size Outside Diameter 5/16 Inch Inside Diameter 1/8 Inch, Width 6 Inches, Depth 2 1/4 Inches, Height 4 1/2 Inches.



### The Truth About Steam Rooms

Steam rooms have been in use for centuries. Widely used in Europe and Asia, steam room usage is on the rise in the US and offer substantial therapeutic and medical benefits. The risk with steam rooms, however, is in its design. Standard US steam rooms are made with ceramic and/or natural tile. Unlike the dry sauna (temperatures average 180 deg F), steam rooms are a warm wet environment (temperatures average 108 deg F), which, when combined with the human presence, provide an ideal environment for mold, mildew, bacterial and many human related pathogens such as Staff. Tile and grout are porous and difficult to clean. Tile rooms also require substantial energy to heat as the tile and CMU wall construction act as heat conductor transferring the heat from the room to the walls.. Today, many architects and commercial club operators are replacing tradition tile rooms with the Advanced Hybrid Steam rooms. More than 50% energy efficient than tile, automatic cleaning system (cleans green) and substantial elimination of mold, mildew and other pathogens harmful to human contact. When it is time to re-tile , contact a Scandia representative.



Certified Products



Government Approved



Preferred Vendor



Exclusive Preferred Vendor



Preferred Vendor



Preferred Vendor

Aroma-Guard II